



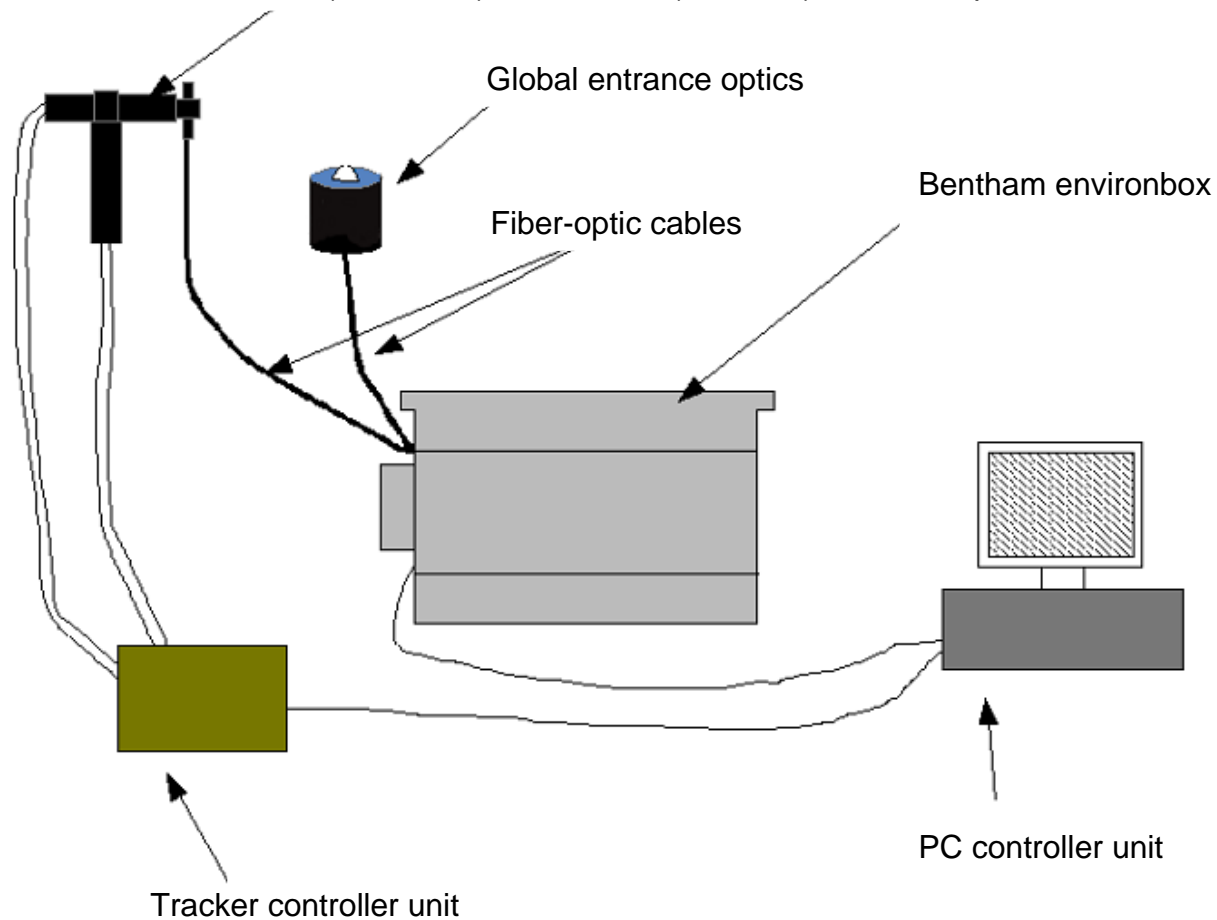
Amund Gjerde Gjendem

Department of Physics, UV-radiation group
Norwegian university of science and technology

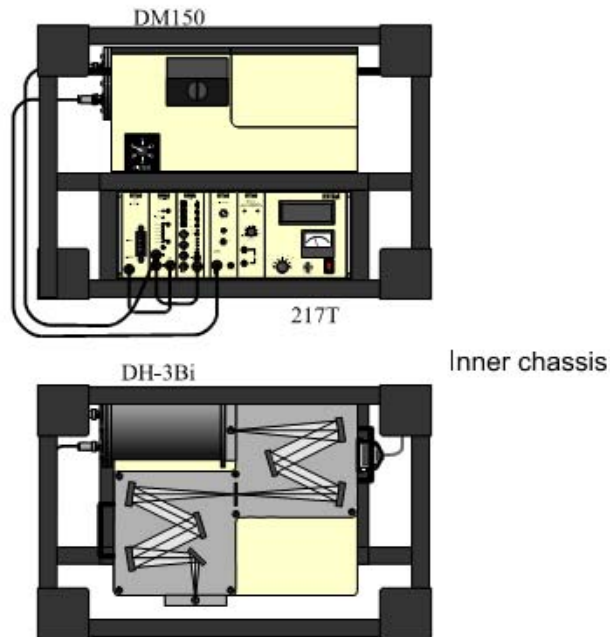
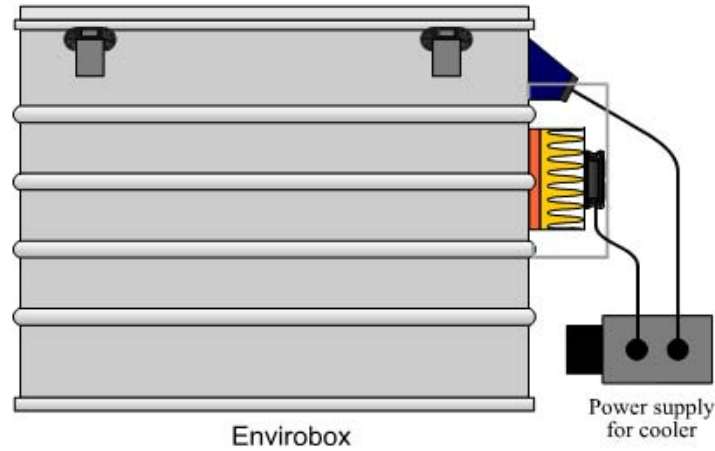
General about the Bentham DM150 based system at NTNU

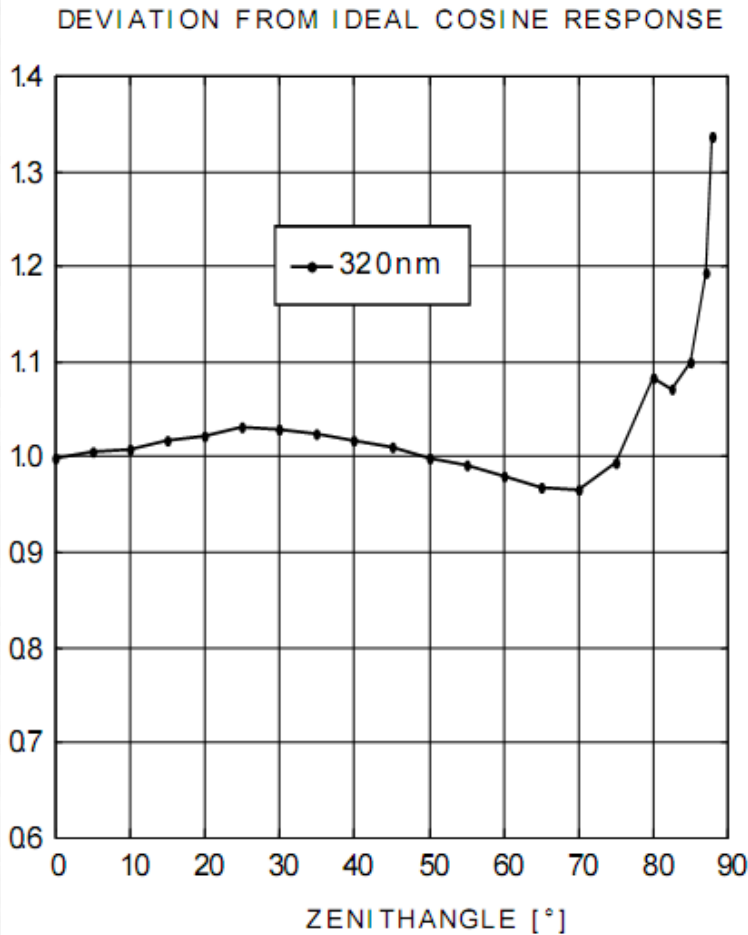
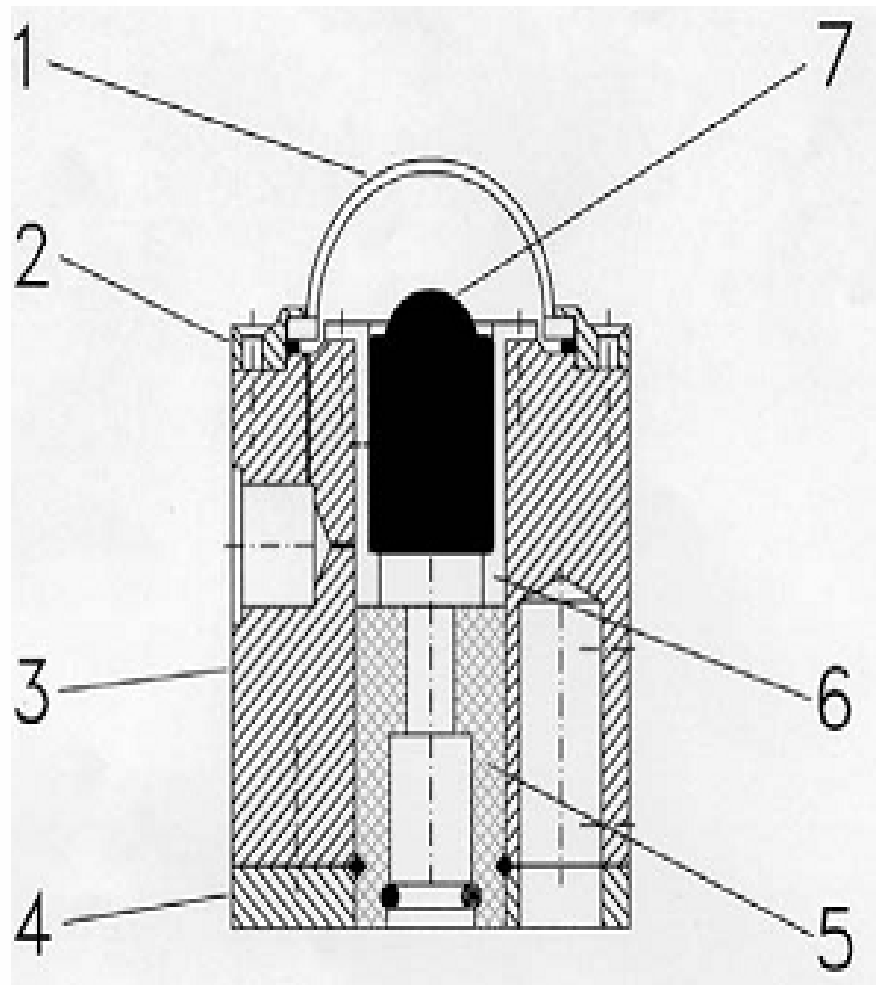
- Spectral global, diffuse, and direct measurements
- Range 250 – 600 nm, step of 0,1nm
- Field of view for direct/diffuse units: ~ 1,5deg
- Calibration uses standard lamps (1000W FEL) and integrating sphere (Bentham IS8)

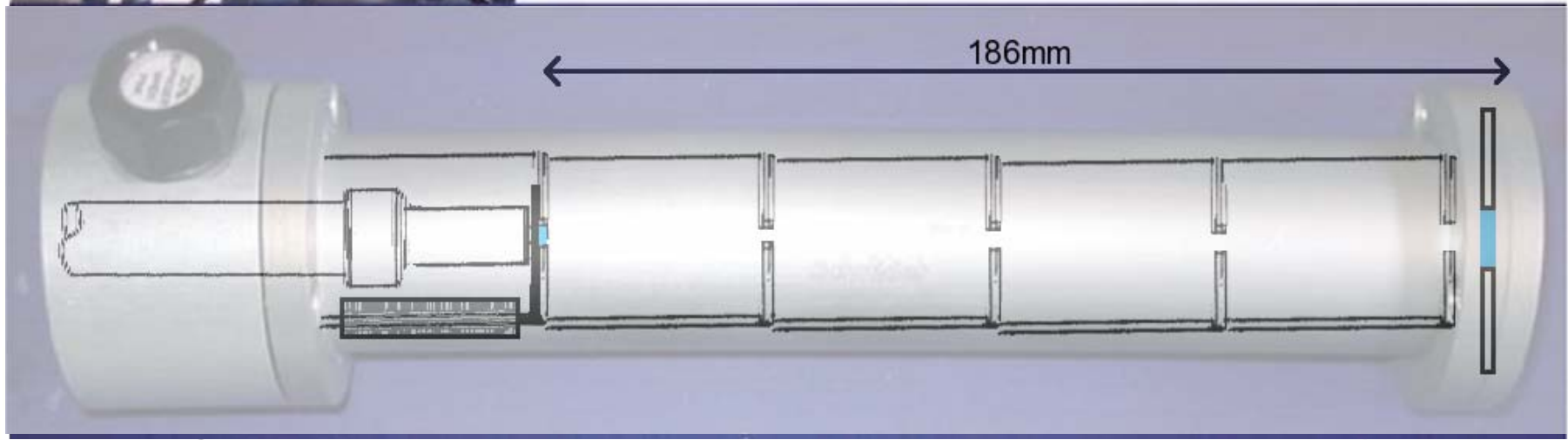
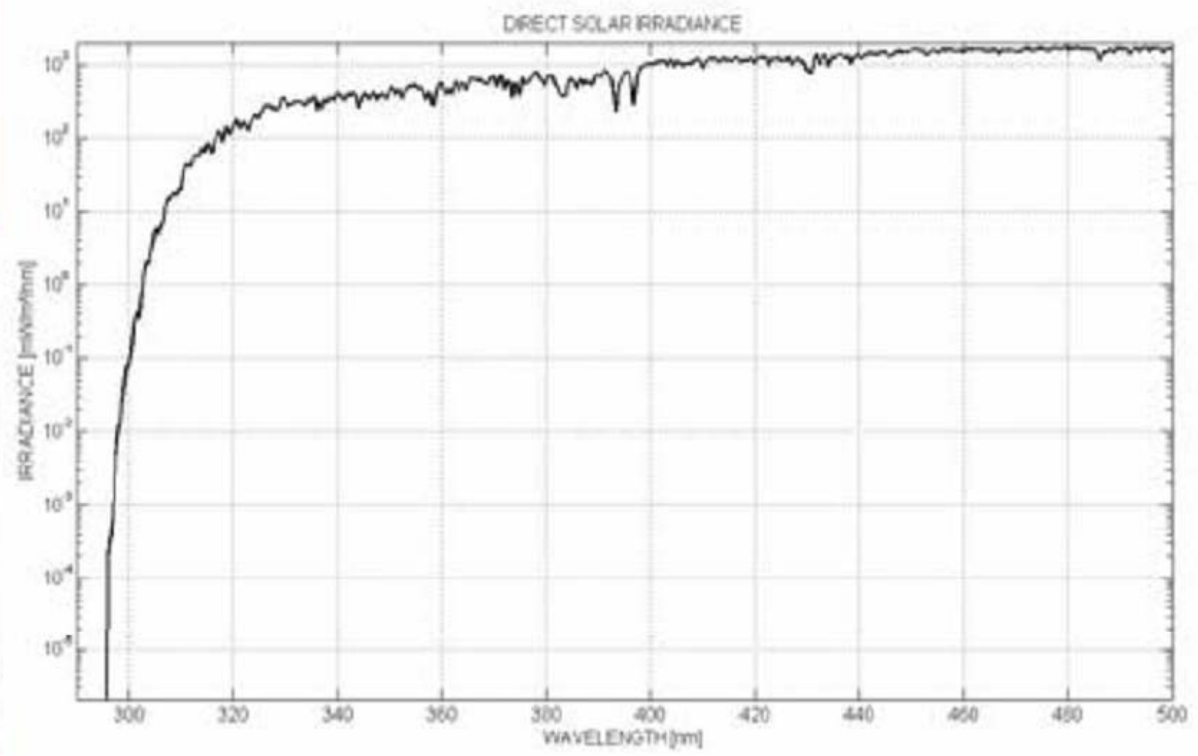
Tracker with direct (Irradiance) and diffuse (radiance) entrance optics



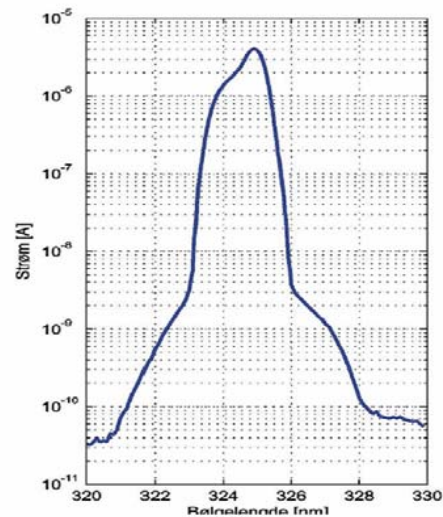
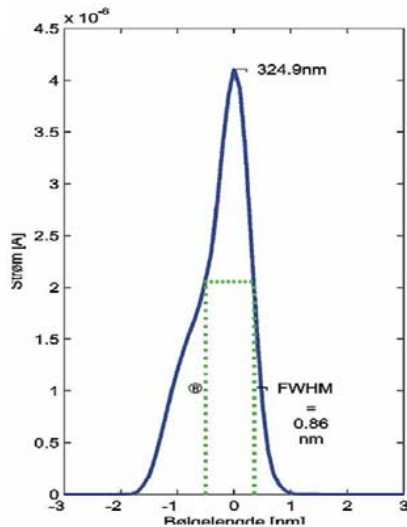
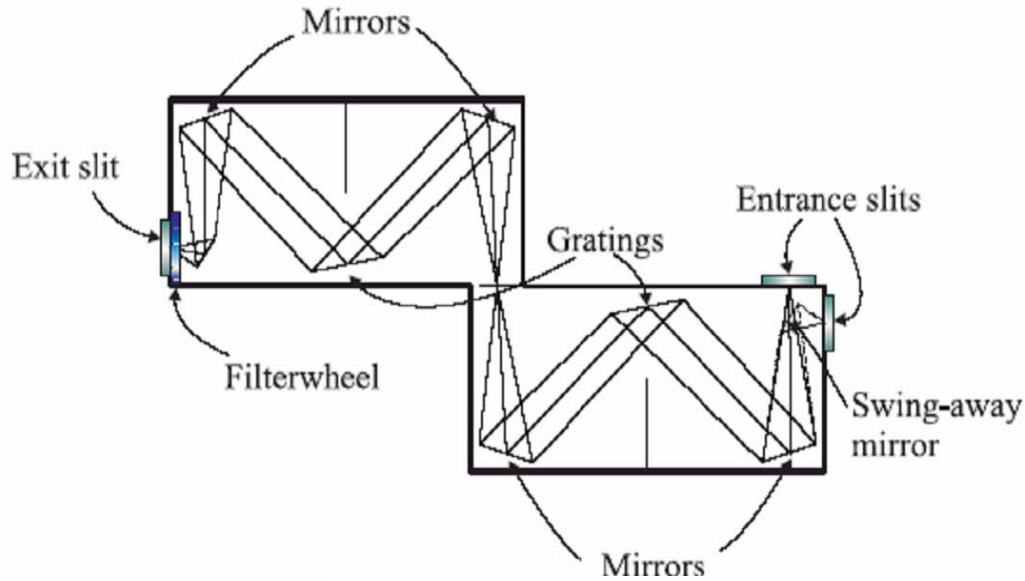
Bentham Envirobox







Bentham 150DM



Plot taken May 7th 2006 14:48 CET. Measured at 465nm

